

## Scala professionale

### Dritta in appoggio a gradino piano

Cod. 6028N - 6048N

- ★ Leaning ladder 6028N - width 450 mm
- ★ Leaning ladder 6048N - width 600 mm
- ★ Non-slip step 83 mm in depth strongly welded to the upright in a concealed corner
- ★ 80 x 23 mm double-core filled boxed upright
- ★ Non-slip, non-scratch, non-staining neoprene strip at the top
- ★ Increased anti-detachment feet with anti-slip support surface (up to 11 steps)
- ★ Stabiliser base with non-deforming calibrated aluminium rust-proof coupling allows easy assembly and dismantling (start from size 12 steps)
- ★ Strong heat-shrink wrapping 80 micron
- ★ Frigerio brand name and year of manufacture
- ★ Instructions manuals and use warnings

The practical and safe solution where a wide step is preferred for greater foot comfort. It is ideal for reaching mezzanines or raised floors in maximum safety

#### ACCESSORIES

**Plate and hooks for wall anchoring** Quick anchoring by aluminium plate to fix to the wall. Allows ladder to be positioned with GA hooks



Supplied with technical drawing for verification of implementation

Code	Price
SCC KTM	

#### Start from size 12 steps



**Stabiliser base can be dismantled with non-deforming calibrated coupling** The calibrated coupling allows easy assembly and dismantling and distributes stress inside the upright profile, guaranteeing maximum solidity and no deformation over time

#### Up to size 11 steps



**Reinforced base with impact-proof ridges and non-detaching coupling feet** With reinforcement ridges in rust-proof aluminium welded against side impacts and equipped with coupling feet that avoid accidental detachment.



**Very strong 83 mm deep steps welded onto increased thicknesses** Joined to the upright by strong angle welding concealed from view to guarantee maximum stability and reliability over time

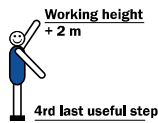
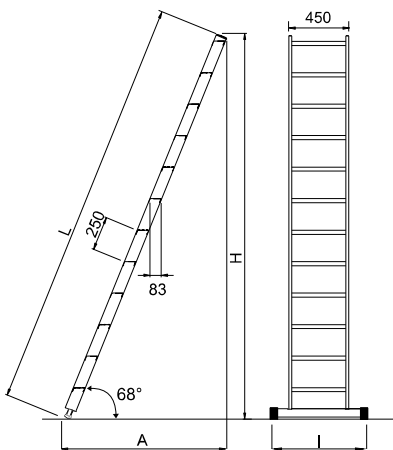


**Rests on precious surfaces** Strip in soft neoprene applied to the upper end of the ladder allowing it to rest in a comfortable and delicate manner on the wall avoiding scratches, indicated for precious surfaces or walls



Photo of article SCA 6048N/12

## Ladder 6028N - width 450 mm



N.B. Articles **SCA 6028N up to measurement 11** do not have a stabiliser base because it is not required by UNI EN 131



Photo of article SCA 6028N/12

### ACCESSORIES

**Handrail in round tubing Ø 32 mm. with adjustable fastening**  
Fixed using u-shaped screws with bolt and washer in lubricating nylon, they have rapid assembly, dismantling and position adjustment

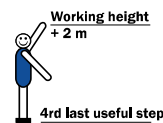
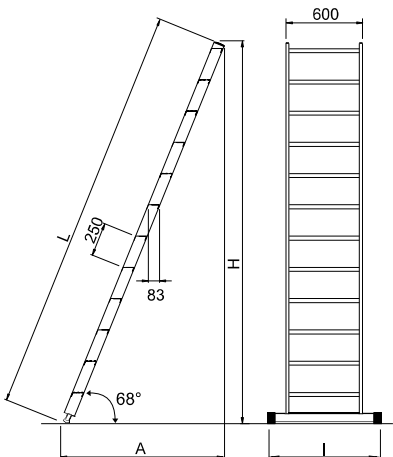
Photo of article SCA 6028N/14 + SCC CSG14



Article code	Total steps n°	Length		Working height -4steps +2m m	Gauge A m	Ladder width cm.	Stabilizer base width l cm.	Weight kg.	Price EN131 Euro	Article code	Price D.Lgs.81 Euro	Article code	Price handrail for n° 1 side Euro
		L m	H m										
SCA 6028N/07	7	1,78	1,62	3,12	0,74	45	-	4,7		-	-	SCC CSG07	
SCA 6028N/08	8	2,03	1,86	3,36	0,83	45	-	5,3		-	-	SCC CSG08	
SCA 6028N/09	9	2,28	2,09	3,59	0,93	45	-	6,0		-	-	SCC CSG09	
SCA 6028N/10	10	2,53	2,32	3,82	1,02	45	-	6,6		-	-	SCC CSG10	
SCA 6028N/11	11	2,78	2,55	4,05	1,11	45	-	7,3		-	-	SCC CSG11	
SCA 6028N/12	12	3,03	2,78	4,28	1,21	45	80	8,0		SCA 6028/124		SCC CSG12	
SCA 6028N/13	13	3,28	3,02	4,52	1,30	45	80	8,6		SCA 6028/134		SCC CSG13	
SCA 6028N/14	14	3,53	3,25	4,75	1,40	45	80	9,3		SCA 6028/144		SCC CSG14	
SCA 6028N/16	16	4,03	3,71	5,21	1,58	45	90	11,0		SCA 6028/164		SCC CSG16	
SCA 6028N/18	18	4,53	4,18	5,68	1,77	45	90	15,5		SCA 6028/184		SCC CSG18	
SCA 6028N/20	20	5,03	4,65	6,15	1,96	45	100	18,0		SCA 6028/204		SCC CSG20	

Aluminium ladders

## Ladder 6048N - width 600 mm



N.B. Articles **SCA 6048N up to measurement 11** do not have a stabiliser base because it is not required by UNI EN 131



Photo of article SCA 6048N/12

### ACCESSORIES

**Handrail in round tubing Ø 32 mm. with adjustable fastening**  
Fixed using u-shaped screws with bolt and washer in lubricating nylon, they have rapid assembly, dismantling and position adjustment

Photo of article SCA 6048N/14 + SCC CSG14



Article code	Total steps n°	Length		Working height -4steps +2m m	Gauge A m	Ladder width cm.	Stabilizer base width l cm.	Weight kg.	Price EN131 Euro	Article code	Price D.Lgs.81 Euro	Article code	Price handrail for n° 1 side Euro
		L m	H m										
SCA 6048N/07	7	1,78	1,62	3,12	0,74	60	-	5,5		-	-	SCC CSG07	
SCA 6048N/08	8	2,03	1,86	3,36	0,83	60	-	6,2		-	-	SCC CSG08	
SCA 6048N/09	9	2,28	2,09	3,59	0,93	60	-	7,0		-	-	SCC CSG09	
SCA 6048N/10	10	2,53	2,32	3,82	1,02	60	-	7,7		-	-	SCC CSG10	
SCA 6048N/11	11	2,78	2,55	4,05	1,11	60	-	8,6		-	-	SCC CSG11	
SCA 6048N/12	12	3,03	2,78	4,28	1,21	60	90	9,3		SCA 6048/126		SCC CSG12	
SCA 6048N/13	13	3,28	3,02	4,52	1,30	60	100	10,0		SCA 6048/136		SCC CSG13	
SCA 6048N/14	14	3,53	3,25	4,75	1,40	60	100	10,9		SCA 6048/146		SCC CSG14	
SCA 6048N/16	16	4,03	3,71	5,21	1,58	60	100	12,8		SCA 6048/166		SCC CSG16	
SCA 6048N/18	18	4,53	4,18	5,68	1,77	60	110	17,5		SCA 6048/186		SCC CSG18	
SCA 6048N/20	20	5,03	4,65	6,15	1,96	60	110	20,0		SCA 6048/206		SCC CSG20	